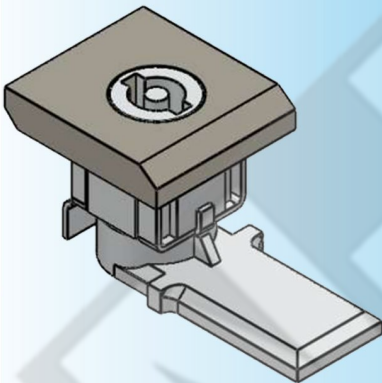


For Product Step File or 3D Model Send a Request Mail To info@nrack.com

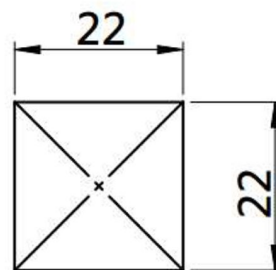
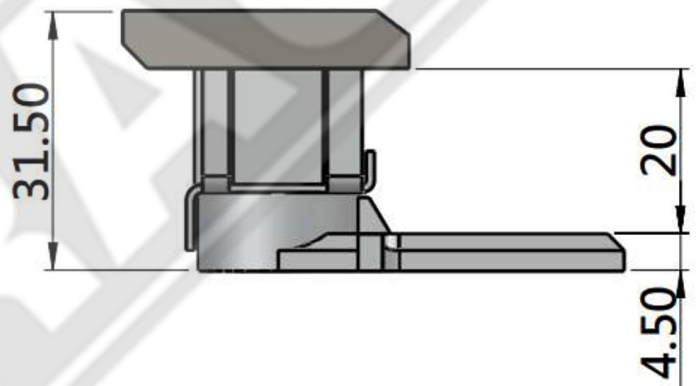
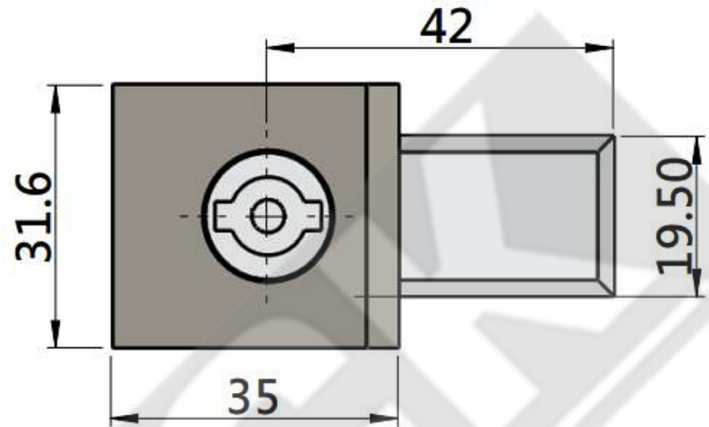
Photo View



3D Rendered View



PL - 22



CUT OUT

- Material: Zinc Die Casting-Body, Cam.
- Finish: Powder Coating.